

匯統國際股份有限公司
Huey Tung International Co., Ltd.

產品規格書 Specification

[Model : HT- 4216B/ 2015.09.25 version]



Cara Audio Corporation

No.69, Lane 762, Dingzhong Road, Sanmin District, Kaohsiung City, Taiwan, ROC.

Tel: 886-7-310 5786 / Fax: 886-7-310 0783

E-mail: carawang@hueytung.com.tw / <http://www.hueytung.com.tw>

揚聲器製品規格書

SPEAKER SPECIFICATION

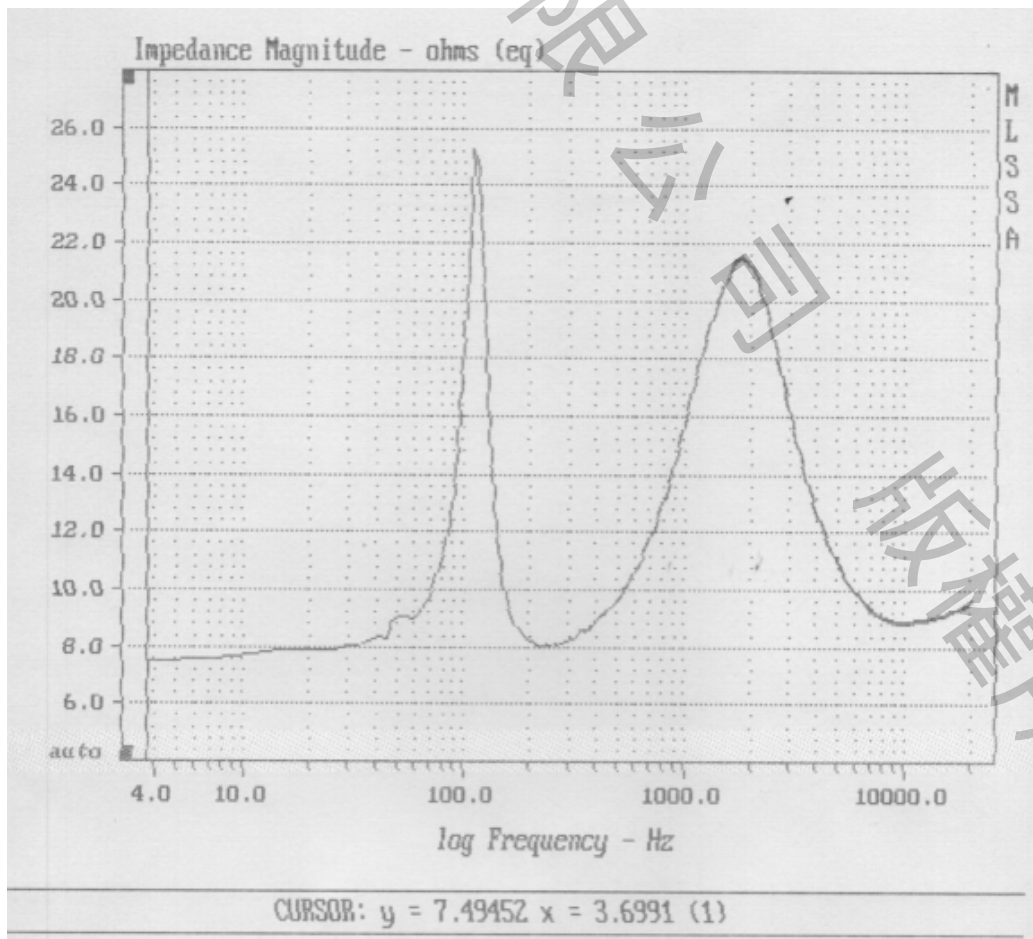
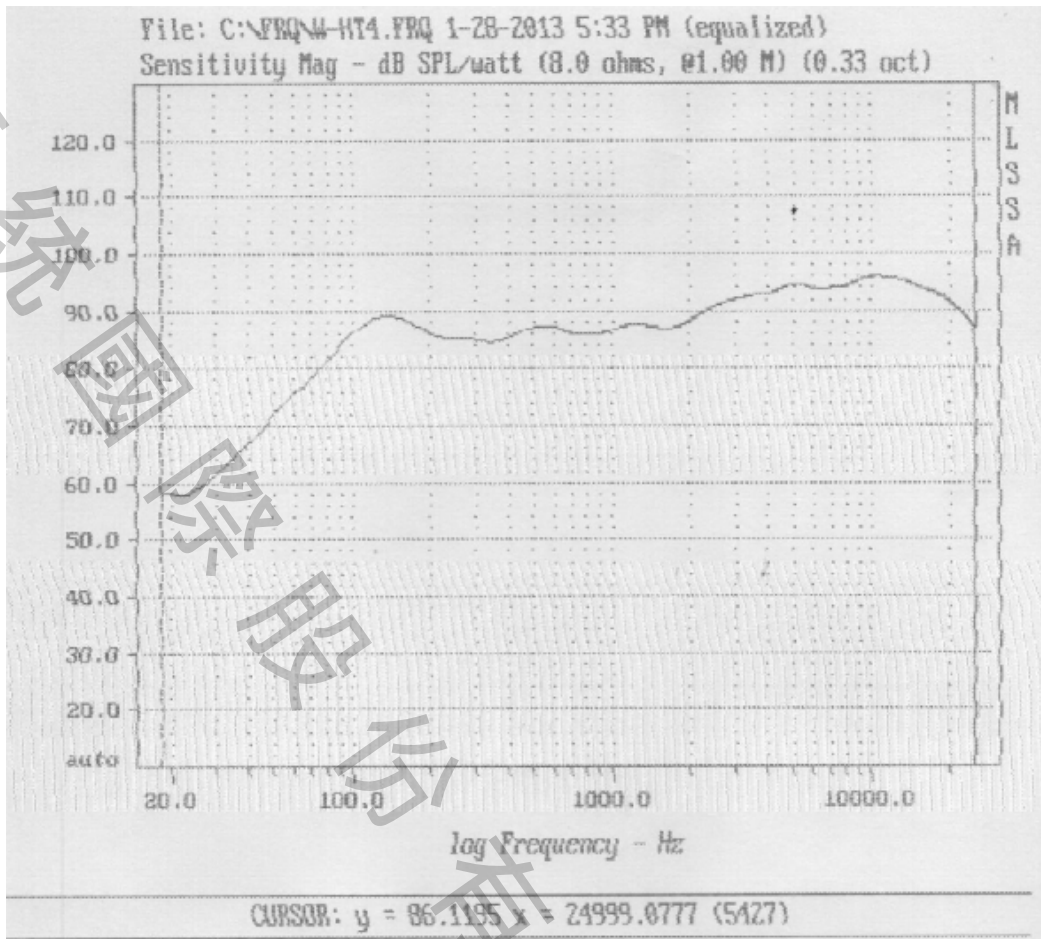


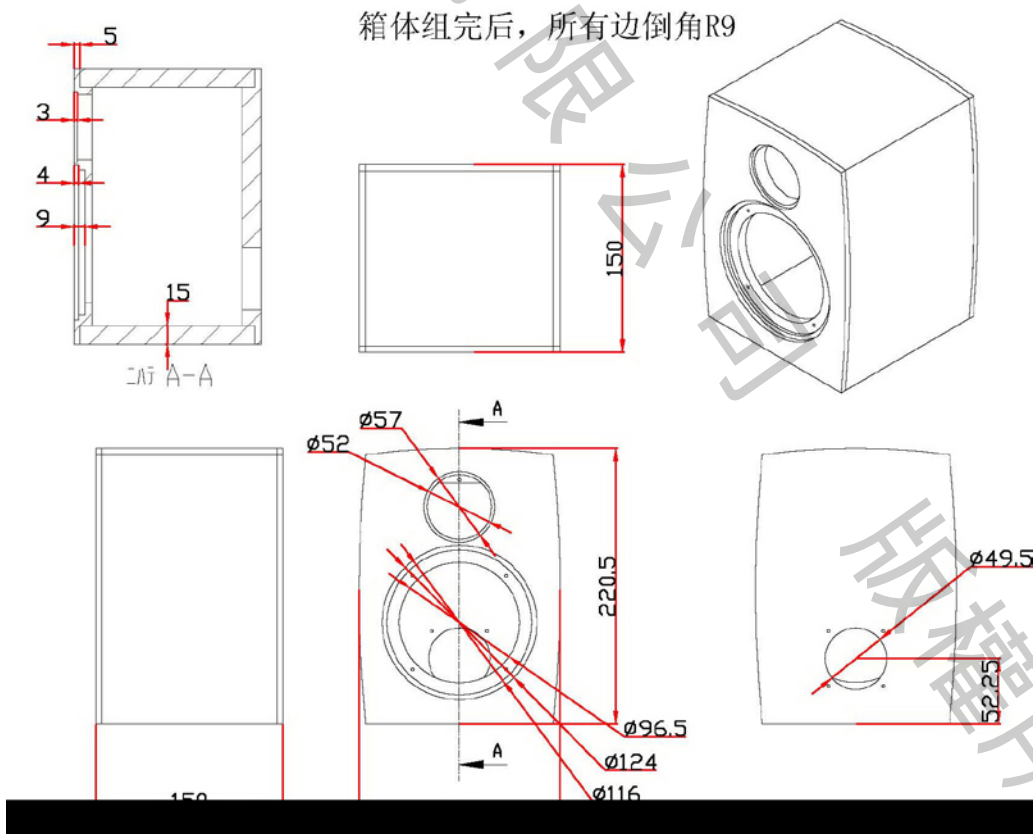
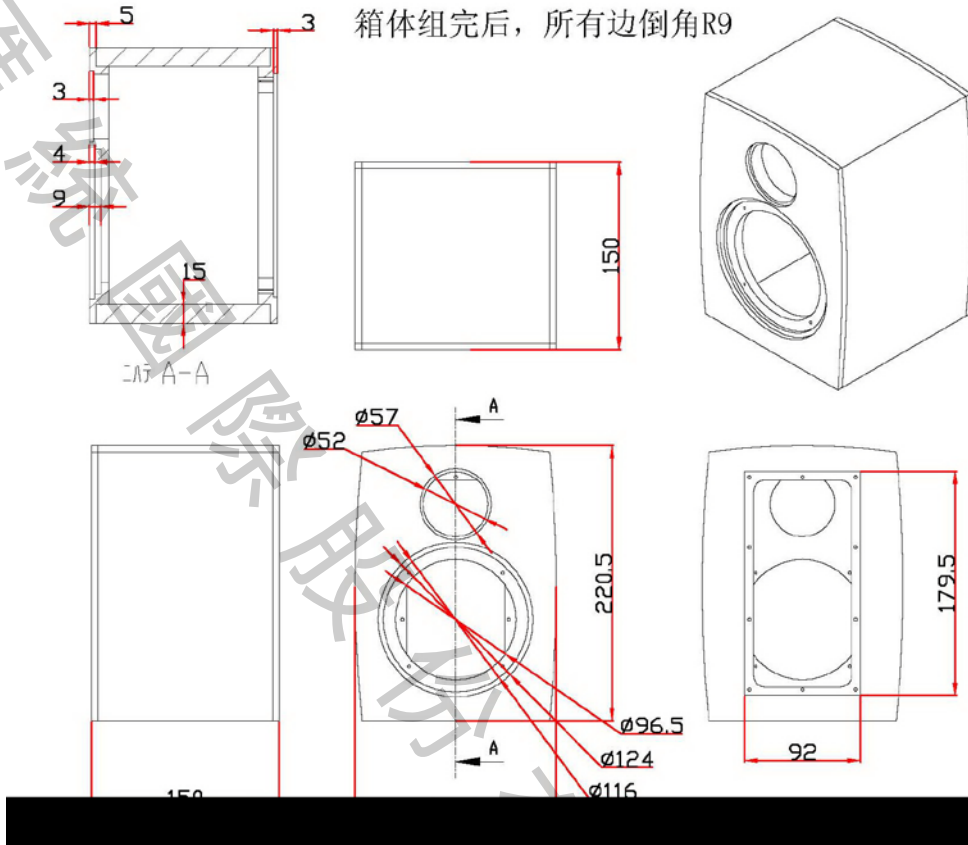
型號:Model Number : HT-4216B

MODEL		六小桶		Rev. 1.0		2013/1/2	
CUSTOMER				2.0 Amplifier			
NO.	STANDARD TEST CONDITION			NO.	STANDARD TEST CONDITION		
1	Supply Voltage Current : AC 0 - 300V / 10A - 50 / 60 Hz (Stabilized Power Supply)			5	10 Hz Hi-Pass & 80 KHz Low-Pass Filter		
2	Operating Voltage : AC = 90-240VAC 50-60HZ			6	Output Load : 4 ohms/200W no induce Resistor		
3	Signal Source : 600 ohms Unbalanced Audio Generator			7	Amplifier Position:>10inch Free Air Space Sides of Heat Sink		
4	Reference Frequency:Line in 1KHz.			8	Ambient temperature (30 +/- 2°C)		
NO.	TEST ITEMS	TEST CONDITION			UNIT	L SPEC	R SPEC
1	1% THD + N OUTPUT POWER	line in L or R 4 ohms/1KHz (Level at Max.)Line in 1=Line in2=Line in3			W	30	30
2	10% THD + N OUTPUT POWER	line in L or R 4 ohms/1KHz (Level at Max.)Line in 1=Line in2=Line in3			W	35	35
3	THD + N	Power at 1W/4 ohms/1kHz (Level at Max.)Line in 1=Line in2=Line in3			%	≤0.2	≤0.2
4	AUTO ON SENSITIVITY	1KHz Line Input 1 L + R (Line in 1=Line in2=Line in3)			mV	7±1	7±1
5	INPUT SENSITIVITY	Line (L or R) Input Rated Power 1W/4 ohms 1KHz (Level at Max.)Line in 1=Line in2=Line in3			mV	70±5	70±5
		Line (L or R) Input Rated Power 30W/4 ohms 1KHz (Level at Max.)Line in 1=Line in2=Line in3			mV	400±15	400±15
6	FREQUENCY RESPONSE	Line in(L or R) Power at 1W/4 ohms 1KHz = 0 db/- 3 dB VOLUME/BASS/TREBLE at Max.			Hz	SEE AP TEST	SEE AP TEST
		Line in(L or R) Power at 1W/4 ohms 1KHz = 0 db/- 3 dB VOLUME/TREBLE at Max.BASS at Min			Hz	SEE AP TEST	SEE AP TEST
		Line in(L or R) Power at 1W/4 ohms 1KHz = 0 db/- 3 dB VOLUME/BASS at Max.TREBBLE at Min			Hz	SEE AP TEST	SEE AP TEST
		Line in(L or R) Power at 1W/4 ohms 1KHz = 0 db/- 3 dB VOLUME at Max.BASS/TREBLE at Min			Hz	SEE AP TEST	SEE AP TEST
7	LOOP OUTPUT	LOOP OUTPUT:LINE INPUT			dB	1:1	1:1
8	SUB OUTPUT	SUB OUTPUT:LINE INPUT			dB	1:1	1:1
9	TREBLE VOLUME	FROM MIN TO MAX @1KHZ			dB	2.5	2.5
10	SUB BASS VOLUME	FROM MIN TO MAX @100HZ			dB	16	16
11	SIGNAL TO NOISE RATIO	Rated Power 4 ohms1kHz = 0 dB Level at Max.			dB	≥60	≥60
12	LED INDICATOR	Red ----- Stand by Green ----- Power On			OK	OK	OK
13	OUTPUT NOISE	Level at Max./ Input open			mV	≤1.0	≤1.0
14	EXTREMITY OF LINE VOLTAGE	Full Power at (+) 10 % Line Voltage .Duration:5 Minutes			PASS	OK	OK
		Power at 1W at (+) 10 % Line Voltage.Duration:30 Minutes			PASS	OK	OK
15	HI POT TEST	2.0KV 50Hz 2Sec <3mA 1.5KV 60Hz 2Sec <2mA			PASS	PASS	PASS
	L/R Channels Separate	SW to STEREO			dB	54	54
16	INPUT IMPEDANCE	LINE IN(Ohms±5KOhms)			ohms	10K	10K
17	Power Consumption @ Standby Mode	90VAC-240VAC/50-60Hz			W	<1.0	
18	Thermal Profile	1/8 of its rated power into the nominal resistive load			°C	60	

Check By :

Test by: XiaopinZeng





Tolerance: ± 0.5

Unit: mm

